

## Grade 5 Unit 1

### Lesson 9

CC BY 2021 Illustrative Mathematics®

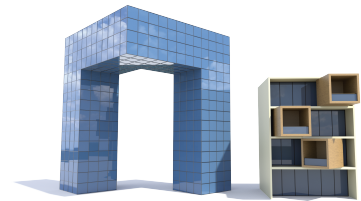
## Unit 1 Lesson 9: Measure Figures Made From Prisms

### WU Number Talk: Times Ten (Warm up)

#### Student Task Statement

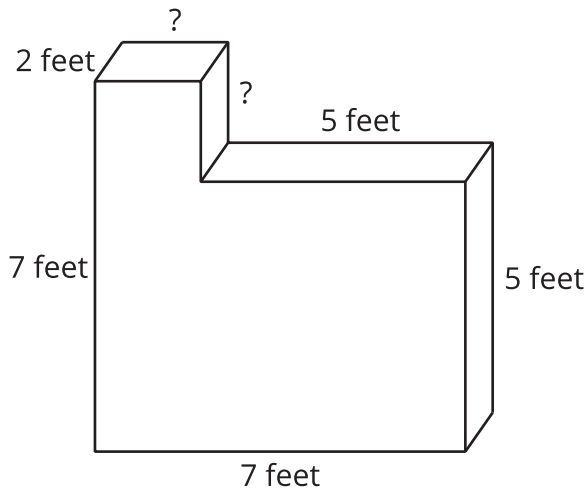
Find the value of each expression mentally.

- $6 \times 2$
- $6 \times 2 \times 10$
- $6 \times 20 \times 10$
- $60 \times 20 \times 10$



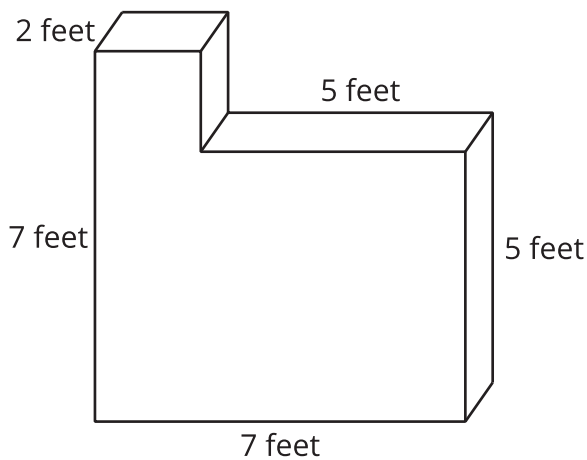
### 1 Find the Volume of Figures

#### Student Task Statement



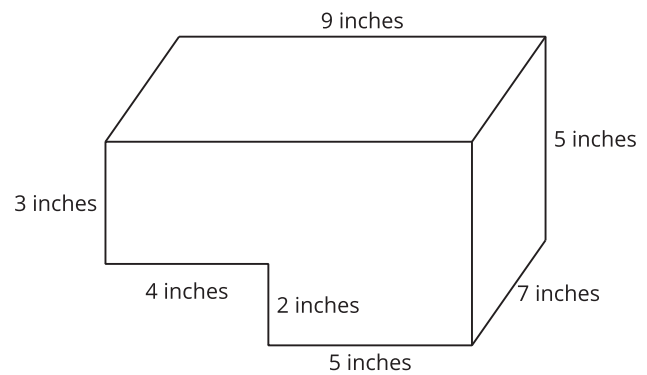
Partner A: Find the volume of Figure 1.

**Figure 1**



Partner B: Find the volume of Figure 2.

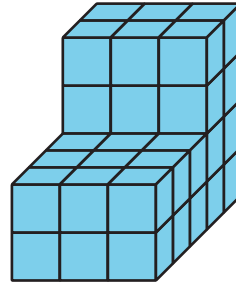
**Figure 2**



## 2 Expressions for the Volume of Figures

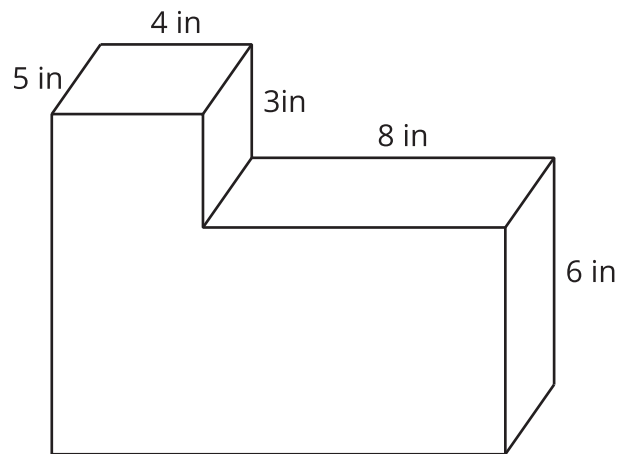
### Student Task Statement

1. Explain how each expression represents the volume of the figure. Show your thinking. Organize it so it can be followed by others.
  - a.  $((2 \times 3) \times 4) + ((3 \times 3) \times 2)$
  - b.  $(5 \times 6) + (3 \times 4)$



2. How does each expression represent the volume of the prism? Explain or show your thinking. Organize it so it can be followed by others.

- a.  $(5 \times 8 \times 6) + (5 \times 4 \times 9)$  cubic inches
- b.  $(5 \times 4 \times 3) + (5 \times 12 \times 6)$  cubic inches



Images for Activity Synthesis

