

Grade 3 Unit 7

Lesson 8

CC BY 2021 Illustrative Mathematics®

Unit 7 Lesson 8: Find the Perimeter

WU Number Talk: Decreasing Dividend (Warm up)

Student Task Statement

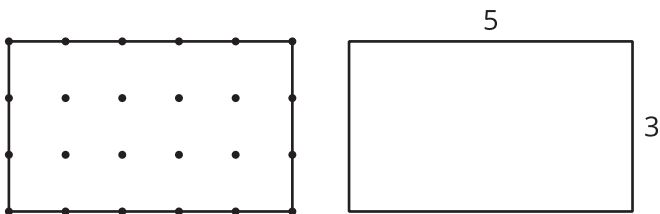
Find the value of each expression mentally.

- $90 \div 9$
- $81 \div 9$
- $45 \div 9$
- $54 \div 9$

1 Ways to Find Perimeter

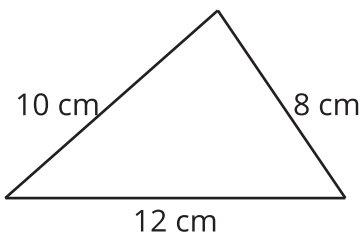
Student Task Statement

What do you notice? What you wonder?

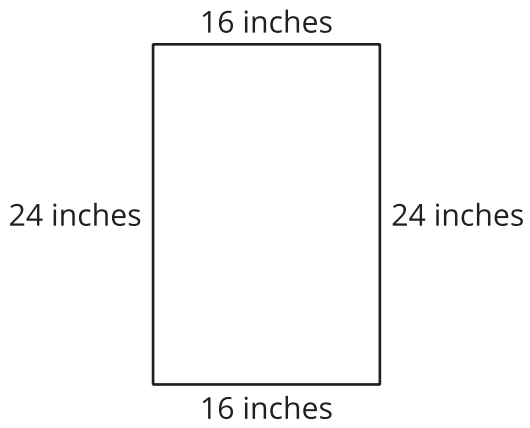


Find the perimeter of each shape. Explain or show your reasoning.

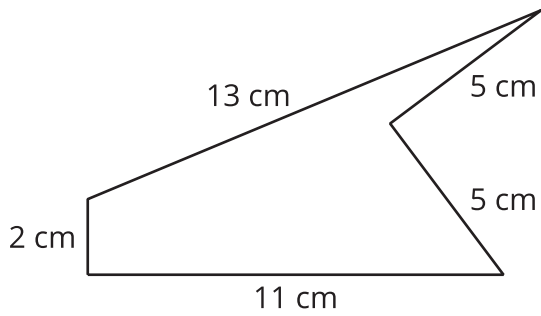
1.



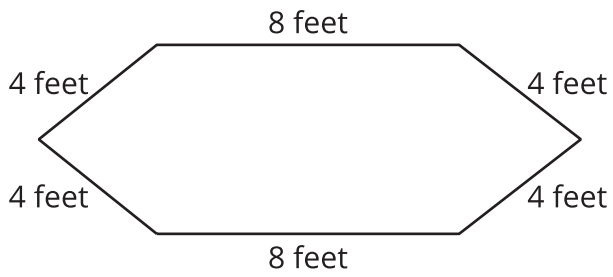
2.



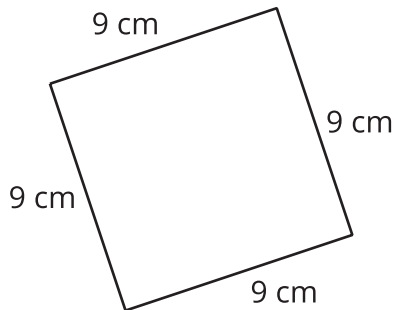
3.



4.



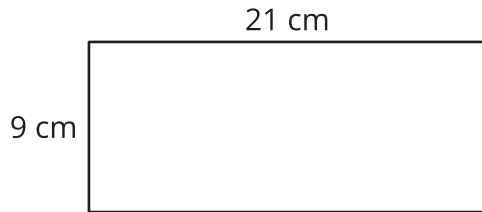
5.



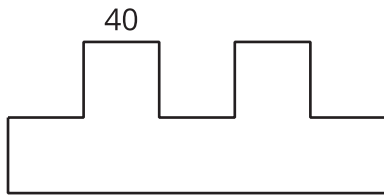
2 Something is Missing

Student Task Statement

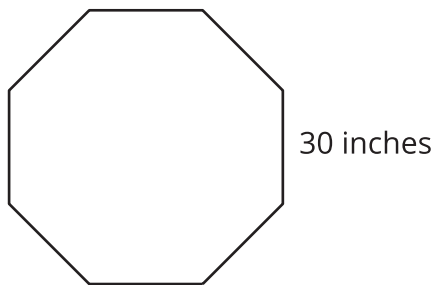
1. Find the perimeter of this rectangle. Explain or show your reasoning.



2. All the short sides of this figure are the same length, and all the angles are right angles. Find the perimeter. Explain or show your reasoning.



3. All the sides of the octagon are the same length. Find the perimeter. Explain or show your reasoning.



Images for Activity Synthesis

