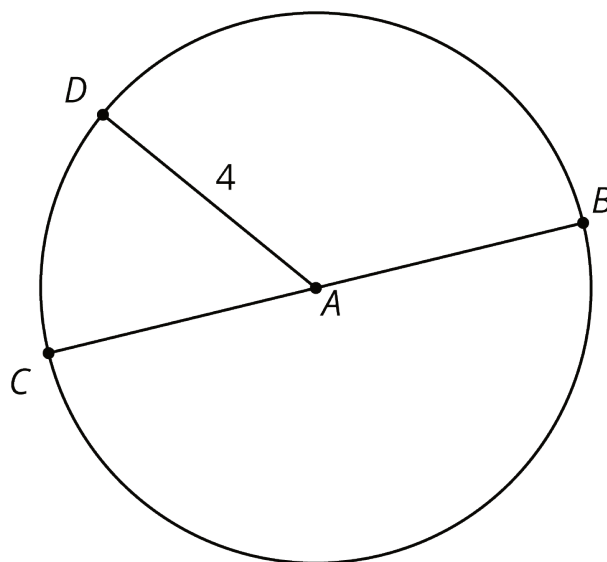


Lesson 18: The Volume and Dimensions of a Cylinder

Let's explore cylinder volumes and dimensions.

18.1: A Circle's Dimensions



Here is a circle. Points A , B , C , and D are drawn, as well as Segments AD and BC .

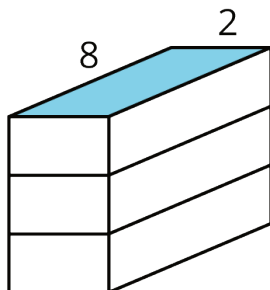
1. What is the area of the circle, in square units? Select all that apply.
 - a. 4π
 - b. $\pi 8$
 - c. 16π
 - d. $\pi 4^2$
 - e. approximately 25
 - f. approximately 50

2. If the area of a circle is 49π square units, what is its radius? Explain your reasoning.

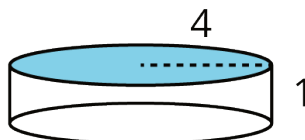
18.2: Circular Volumes

What is the volume of each figure, in cubic units? Even if you aren't sure, make a reasonable guess.

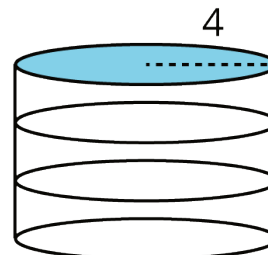
A



B



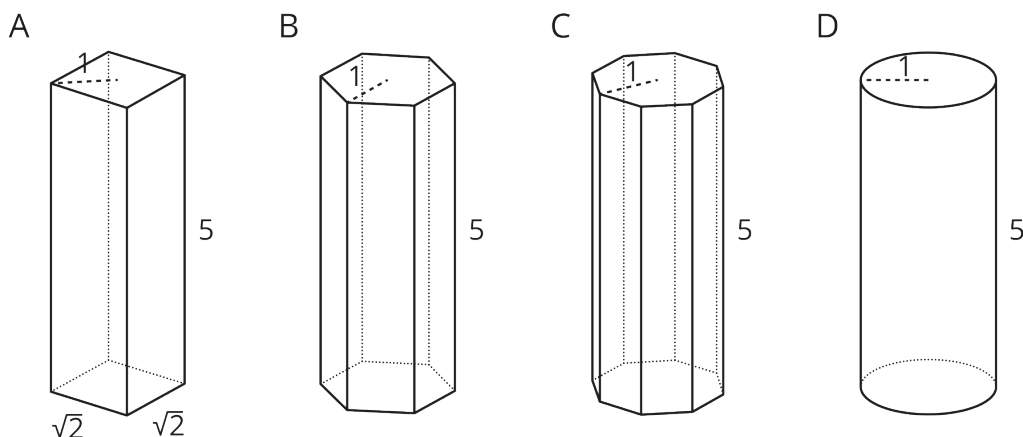
C



1. Figure A: A rectangular prism whose base has an area of 16 square units and whose height is 3 units.
2. Figure B: A cylinder whose base has an area of 16π square units and whose height is 1 unit.
3. Figure C: A cylinder whose base has an area of 16π square units and whose height is 3 units.

Are you ready for more?

prism	prism	prism	cylinder
base: square	base: hexagon	base: octagon	base: circle



Here are solids that are related by a common measurement. In each of these solids, the distance from the center of the base to the furthest edge of the base is 1 unit, and the height of the solid is 5 units. Use 3.14 as an approximation for π to solve these problems.

- Find the area of the square base and the circular base.
- Use these areas to compute the volumes of the rectangular prism and the cylinder. How do they compare?
- Without doing any calculations, list the figures from smallest to largest by volume. Use the images and your knowledge of polygons to explain your reasoning.
- The area of the hexagon is approximately 2.6 square units, and the area of the octagon is approximately 2.83 square units. Use these areas to compute the volumes of the prisms with the hexagon and octagon bases. How does this match your explanation to the previous question?

18.3: What's the Dimension?

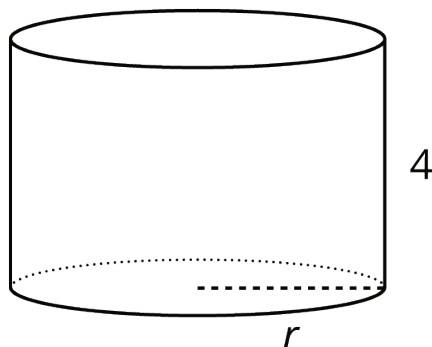
The volume V of a cylinder with radius r is given by the formula $V = \pi r^2 h$.

1. The volume of this cylinder with radius 5 units is 50π cubic units. This statement is true: $50\pi = 5^2 \pi h$



What does the height of this cylinder have to be? Explain how you know.

2. The volume of this cylinder with height 4 units is 36π cubic units. This statement is true: $36\pi = r^2 \pi 4$



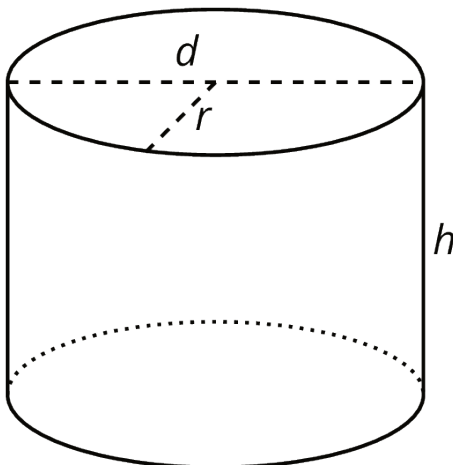
What does the radius of this cylinder have to be? Explain how you know.

Are you ready for more?

Suppose a cylinder has a volume of 36π cubic inches, but it is not the same cylinder as the one you found earlier in this activity.

1. What are some possibilities for the dimensions of the cylinder?
2. How many different cylinders can you find that have a volume of 36π cubic inches?

18.4: Cylinders with Unknown Dimensions



Each row of the table has information about a particular cylinder. Complete the table with the missing dimensions.

diameter (units)	radius (units)	area of the base (square units)	height (units)	volume (cubic units)
	3		5	
12				108π
			11	99π
8				16π
			100	16π
	10			20π
20				314
			b	$\pi \cdot b \cdot a^2$

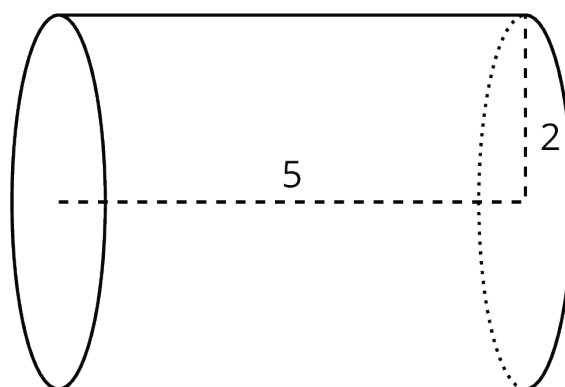
Lesson 18 Summary

We can find the volume of a cylinder with radius r and height h using two ideas we've seen before:

- The volume of a rectangular prism is a result of multiplying the area of its base by its height.
- The base of the cylinder is a circle with radius r , so the base area is πr^2 .

Remember that π is the number we get when we divide the circumference of any circle by its diameter. The value of π is approximately 3.14.

Just like a rectangular prism, the volume of a cylinder is the area of the base times the height. For example, take a cylinder whose radius is 2 cm and whose height is 5 cm.



The base has an area of $4\pi \text{ cm}^2$ (since $\pi \cdot 2^2 = 4\pi$), so the volume is $20\pi \text{ cm}^3$ (since $4\pi \cdot 5 = 20\pi$). Using 3.14 as an approximation for π , we can say that the volume of the cylinder is approximately 62.8 cm^3 .

In general, the base of a cylinder with radius r units has area πr^2 square units. If the height is h units, then the volume V in cubic units is

$$V = \pi r^2 h$$

It is also true that if we know the volume and one dimension (either radius or height), we can find the other dimension.

For example, imagine a cylinder that has a volume of $500\pi \text{ cm}^3$ and a radius of 5 cm, but the height is unknown. From the volume formula we know that

$$500\pi = \pi \cdot 25 \cdot h$$

must be true. Looking at the structure of the equation, we can see that $500 = 25h$. That means that the height has to be 20 cm, since $500 \div 25 = 20$.

Now imagine another cylinder that also has a volume of $500\pi \text{ cm}^3$ with an unknown radius and a height of 5 cm. Then we know that

$$500\pi = \pi \cdot r^2 \cdot 5$$

must be true. Looking at the structure of this equation, we can see that $r^2 = 100$. So the radius must be 10 cm.